



CERTIFIED SOLAR SYSTEM

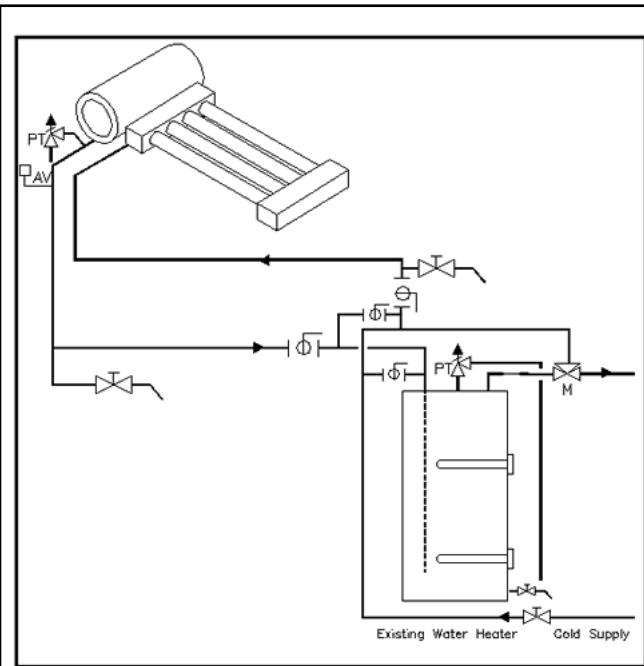
SUPPLIER:
Jiangsu Sunrain Solar Energy Co. Ltd.
 Ning Hai Industrial Zone
 Lianyungang City, JIANGSU PROVINCE 222243
 China
 www.sunrain.com

BRAND: Sunrain
 MODEL: TZ58/1800-30C-E
 SYSTEM TYPE: Thermosiphon, Indirect
 CERTIFICATION #: 30003716
 Original Certification: January 24, 2013
 Expiration Date: June 01, 2024

The solar system listed below has been evaluated by the Solar Rating & Certification Corporation™ (SRCC™), an ANSI accredited and EPA recognized Certification Body, in accordance with SRCC OG-300, Operating Guidelines for Certifying Solar Water Heating Systems, and has been certified by the SRCC. This award of certification is subject to all terms and conditions of the Program Agreement and the documents incorporated therein by reference.

Description: Non Separable Thermosiphon Glazed, -5 °C 23 °F, Water , None, None, None

Single-day Rating		SINGLE DAY RATING CONDITIONS	SI Units	Inch-Pound Units
Solar Energy Factor (SEF _D)	Solar Fraction (SF _D)	System Set Temperature	57.2 °C	135 °F
1.4	0.36	Environmental Temperature	19.7 °C	67.5 °F
Single-day Rating Conditions: SEF _D = Solar Energy Factor (info link) SF _D = Solar Fraction (info link)		Ambient Temperature Profile Average	14.4 °C	58 °F
		Water Mains Temperature	14.4 °C	58 °F
		Delivered Load	43.3 MJ/day	41,045 Btu/day
		Solar Irradiance	4,733 Wh/m ² -day	1,500 Btu/ft ² -day



Storage Tank(s)			
Solar Tank Vol (l)	Solar Tank Vol (gal)	Aux Tank Vol (l)	Aux Tank Vol (gal)
300	79	189	50
Note: The auxiliary tank can have a volume between 132 and 246 liters (35 and 65 gallons).			
Approximate Collector Area: 4.5 m ² , 47.9 ft ²			

The solar water system listed here has been certified by the SRCC as meeting the minimum standards for testing, installation, operation, maintenance, performance, reliability and safety as specified in SRCC Document OG-300. Thermal performance ratings are based on the successful durability and performance testing of a sample collector, where said tests have been conducted by an independent laboratory approved and listed by the SRCC. The system has been modeled using the computer simulation program TRNSYS to calculate the ratings.

Before the Supplier can make any change in design, materials, specifications, parts, or construction, the change(s) must be reported to the SRCC for evaluation of continued certification.

REMARKS:

Jim Higgins

Technical Director



Print Date: July, 2013

© Solar Rating & Certification Corporation™

www.solar-rating.org ♦ 400 High Point Drive, Suite 400 ♦ Cocoa, Florida 32926 ♦ (321) 213-6037 ♦ Fax (321) 821-0910



CERTIFIED SOLAR SYSTEM

SUPPLIER:
Jiangsu Sunrain Solar Energy Co. Ltd.
Ning Hai Industrial Zone
Lianyungang City, JIANGSU PROVINCE 222243
China
www.sunrain.com

BRAND: Sunrain
MODEL: TZ58/1800-30C-E
SYSTEM TYPE: Thermosiphon, Indirect
CERTIFICATION #: 30003716
Original Certification: January 24, 2013
Expiration Date: June 01, 2024

The solar system listed below has been evaluated by the Solar Rating & Certification Corporation™ (SRCC™), an ANSI accredited and EPA recognized Certification Body, in accordance with SRCC OG-300, Operating Guidelines for Certifying Solar Water Heating Systems, and has been certified by the SRCC. This award of certification is subject to all terms and conditions of the Program Agreement and the documents incorporated therein by reference.

Only the following options for the collector array are approved:

Option	Collector Panel Manufacturer	Collector Panel Request Number	Collector Panel Model Number	Collector Panel Name	Quantity	Total Panel area(m ²)	Total Panel area(ft ²)
1	Jiangsu Sunrain Solar Energy Co. Ltd.	2012022A	TZ58/1800-30C	Sunrain	1	4.45	47.9

